

DAC V (1 1/2" - 2" and DN32 PN6 - DN50 PN10)

Bottom coupling devices with vertical outlet

General characteristics

- structure in GJL-250 cast iron
- seal in NBR rubber
- epoxy-vinyl paint
- full free passage
- complete with fitting for connection to polyethylene tube (Ø 63 mm)
- threaded outlet GAS 2" and GAS 2 1/2"
- complete with pipe guide and sliding flange with stainless steel fasteners
- allows the pump intake port to be kept at optimal height, meaning there is no need to provide a step in the bottom of the tank
- version with ball valve directly on the delivery port. This model comes with an incorporated breather valve for air venting



All product images are indicative only

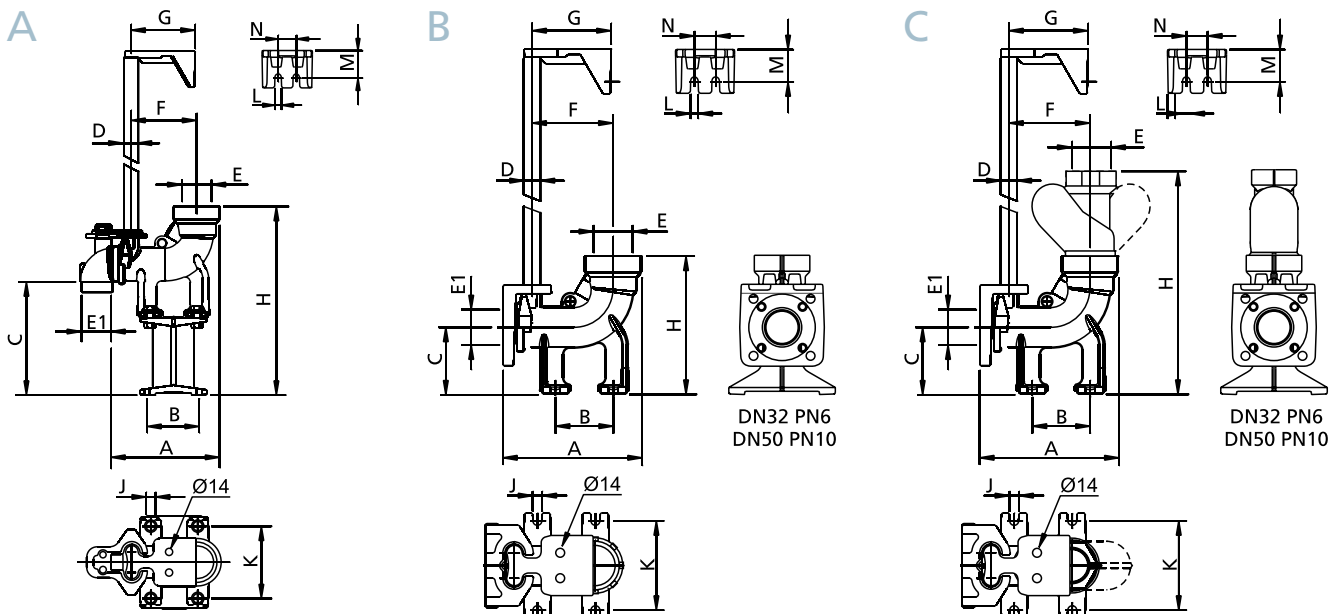
Models

DAC-N G40V/G50-65V Inlet for vertical delivery pumps GAS 1 1/2", outlet GAS 2" - 2 1/2"
DAC-N G50V/G50-65V Inlet for vertical delivery pumps GAS 2", outlet GAS 2" - 2 1/2"
 Both of the accessories have a fitting for a PE 63 tube (GTP) or a ball check valve (VAP) + breather valve

DAC-N 32-50/G50-65V Inlet DN32 PN6 and DN50 PN10, outlet GAS 2" and GAS 2 1/2"
 The accessory comes supplied with a fitting for a PE 63 (GTP) tube

DAC-N 32-50/G50V+VAP Inlet DN32 PN6 and DN50 PN10, outlet GAS 2" (valve outlet diameter)
 The accessory comes supplied with a 2" ball valve
 For correct operation, the DAC structure must have an automatic air release valve.

Overall dimensions and weights



| A | A | B | C | D | E | E1 | F | G | H | J | K | L | M | N | Kg |
|--------------------|-----|----|-----|------|---------------|----------|-----|-----|-----|----|-----|----|----|----|----|
| DAC-N G40V/G50-65V | 200 | 90 | 165 | 3/4" | G 2"-G 2 1/2" | G 1 1/2" | 130 | 125 | 360 | 14 | 140 | 12 | 50 | 35 | 11 |
| DAC-N G50V/G50-65V | 200 | 90 | 220 | 3/4" | G 2"-G 2 1/2" | G 2" | 130 | 125 | 360 | 14 | 140 | 12 | 50 | 35 | 11 |

| B | A | B | C | D | E | E1 | F | G | H | J | K | L | M | N | Kg |
|---------------------|-----|----|-----|------|---------------|----|-----|-----|-----|----|-----|----|----|----|----|
| DAC-N 32-50/G50-65V | 220 | 90 | 105 | 3/4" | G 2"-G 2 1/2" | 50 | 130 | 125 | 215 | 14 | 140 | 12 | 50 | 35 | 8 |

| C | A | B | C | D | E | E1 | F | G | H | J | K | L | M | N | Kg |
|----------------------|-----|----|-----|------|------|----|-----|-----|-----|----|-----|----|----|----|----|
| DAC-N 32-50/G50V+VAP | 220 | 90 | 105 | 3/4" | G 2" | 50 | 130 | 125 | 355 | 14 | 140 | 12 | 50 | 35 | 9 |

Dimensions in mm

All weights and dimensions are indicative only

DAC V (DN65÷DN300)

Bottom coupling devices with vertical outlet

General characteristics

- structure in GJL-250 cast iron
- seal in NBR rubber
- epoxy-vinyl paint
- full free passage
- complete with pipe guide and sliding flange with stainless steel fasteners
- allows the pump intake port to be kept at optimal height, meaning there is no need to provide a step in the bottom of the tank
- a PATENTED system simplifies pump release and reduces the mechanical stresses on the guide pipes

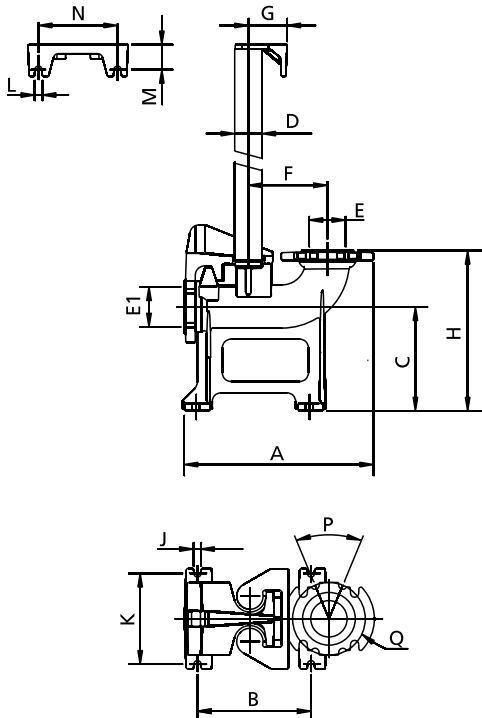


All product images are indicative only

Models

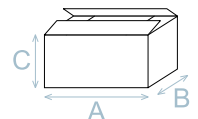
| | |
|----------------|---|
| DAC-N 65/65V | Inlet DN65 PN10-16, outlet DN65 PN10-16 |
| DAC-N 80/80V | Inlet DN80 PN10, outlet DN80 PN10-16 |
| DAC-N 100/100V | Inlet DN100 PN10-16, outlet DN100 PN10-16 |
| DAC-N 150/200V | Inlet DN150 PN10-16, outlet DN200 PN10 |
| DAC-N 200/250V | Inlet DN200 PN10, outlet DN250 PN10 |
| DAC-N 250/300V | Inlet DN250 PN10, outlet DN300 PN10 |
| DAC-N 300/350V | Inlet DN300 PN10, outlet DN350 PN10 |

Overall dimensions and weights



Packaging dimension

| | A | B | C |
|----------------------|-----|-----|-----|
| DAC-N G40V/G50-65V | 385 | 225 | 245 |
| DAC-N G50V/G50-65V | 385 | 225 | 245 |
| DAC-N 32-50/G50-65V | 385 | 225 | 245 |
| DAC-N 32-50/G50V+VAP | 385 | 225 | 245 |
| DAC-N 65/65V | 475 | 375 | 240 |
| DAC-N 80/80V | 475 | 375 | 240 |
| DAC-N 100/100V | 475 | 375 | 240 |



All weights and dimensions are indicative only

| | A | B | C | D | E | E1 | F | G | H | J | K | L | M | N | P | Q | Kg |
|----------------|-----|-----|-----|----|-----|-----|-----|-----|-----|----|-----|----|----|-----|-------|-----|-----|
| DAC-N 65/65V | 400 | 250 | 240 | 2" | 65 | 65 | 170 | 85 | 355 | 16 | 200 | 16 | 55 | 175 | 90° | 145 | 26 |
| DAC-N 80/80V | 420 | 250 | 230 | 2" | 80 | 80 | 175 | 85 | 355 | 16 | 200 | 16 | 55 | 175 | 45° | 160 | 28 |
| DAC-N 100/100V | 450 | 250 | 220 | 2" | 100 | 100 | 195 | 85 | 355 | 16 | 200 | 16 | 55 | 175 | 45° | 180 | 31 |
| DAC-N 150/200V | 625 | 280 | 410 | 2" | 200 | 150 | 305 | 150 | 600 | 24 | 250 | 14 | 50 | 100 | 45° | 295 | 117 |
| DAC-N 200/250V | 700 | 500 | 370 | 2" | 250 | 200 | 355 | 150 | 600 | 24 | 250 | 14 | 50 | 100 | 30° | 350 | 149 |
| DAC-N 250/300V | 810 | 500 | 525 | 2" | 300 | 250 | 430 | 150 | 805 | 24 | 250 | 14 | 50 | 100 | 30° | 400 | 192 |
| DAC-N 300/350V | 955 | 500 | 495 | 3" | 350 | 300 | 445 | 135 | 850 | 24 | 460 | 20 | 75 | 180 | 22.5° | 460 | 293 |

Dimensions in mm

All weights and dimensions are indicative only